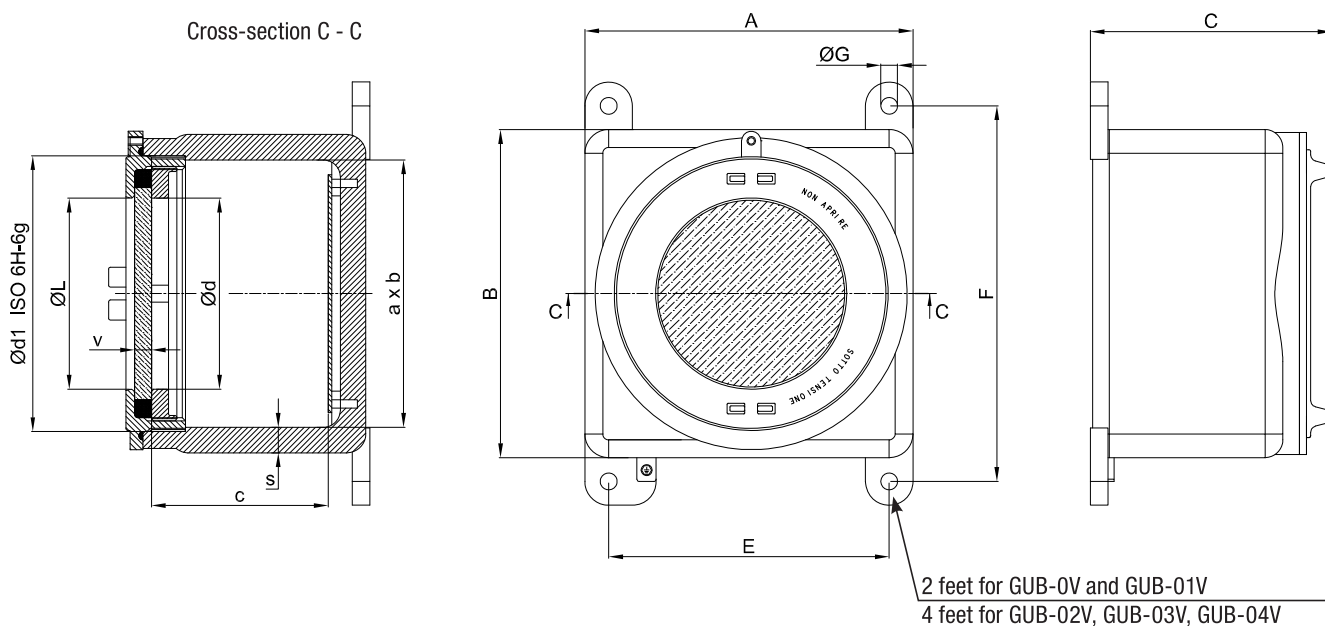


GUB-...V series Junction boxes with round viewing windows

GUB series junction boxes are used as enclosures for electrical equipment that requires a visual interface with the outside. Voltmeters, ammeters and other analogue and digital measuring instruments are typical examples of installations that require a window for taking direct readings. These enclosures are also used to house monitoring instruments such as infra-red photoelectric cells and twilight sensors that provide pulses for control and signalling equipment (opening/closing, alarms, etc...). Our technical department will decide what size enclosures to use based on your requirements and determine the internal layout so that all the dimensional and electrical parameters prescribed by the certificate are met. We can install equipment to your specifications within the technical limits allowed by the certificate and based on our standard control and signalling devices.



DIMENSIONAL DRAWING OF ENCLOSURES WITH ROUND VIEWING WINDOWS



ENCLOSURE SELECTION CHART

Code	Outside dimensions mm				Inside dimensions mm							Mounting mm			Weight kg
	A	B	C	ØL	a	b	c	Ød	Ød1	s	v	E	F	ØG	
GUB-0V	150	150	125	90	126	126	75	90	130x2	12	10	126	174	10	
GUB-01V	174	174	160	90	146	146	105	104	150x2	12	10	154	195	10	
GUB-02V	230	230	154	140	204	204	95	140	200x3	12	12	196	265	14	
GUB-03V	276	276	200	180	250	250	140	180	250x3	12	15	236	316	14	
GUB-04V	430	430	275	310	398	398	190	310	390x3	16	20	390	480	14	

DON'T FORGET TO ORDER THE ACCESSORIES

Example: Enclosure type
GUB-02

+

Internal mounting
plate TF-02

+

Cable glands,
unions

+

other...see key

